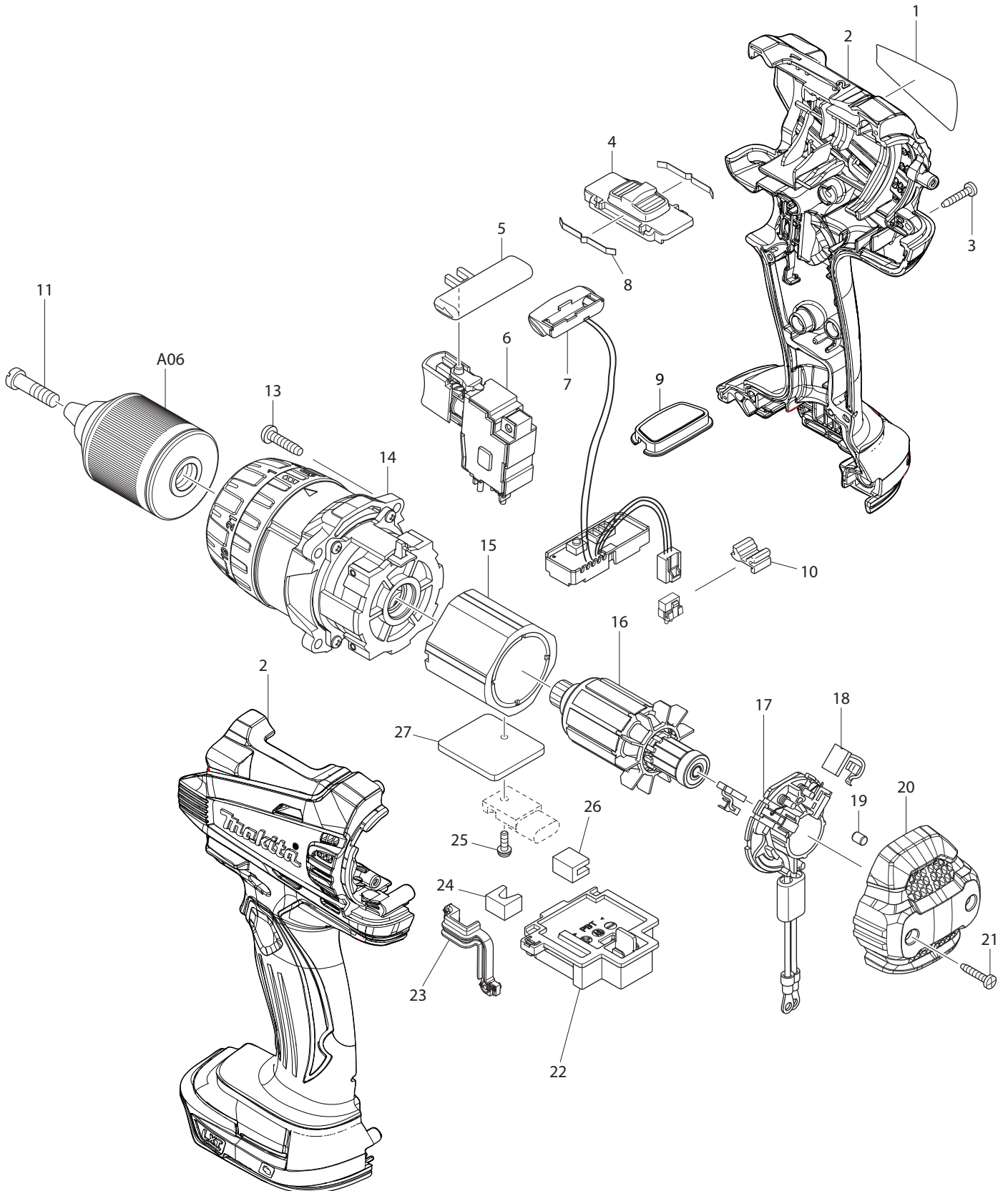




11 - 2013
DDF458F, DDF458RFE, DDF458Z
18V 1/2" DRIVER DRILL



Item No	Type	Ref	Part No	Description	Qty	Unit
001			814Y91-3	NAME PLATE F/DDF458	1	PC.
002			187430-3	HOUSING SET	1	SET
		INC.	263005-3	RUBBER PIN 6	2	PC.
		INC.	252126-6	HEX. LOCKING NUT M4-7	2	PC.
003			266130-9	TAPPING SCREW BIND PT 3X16	7	PC.
004			126100-9	SPEED CHANGE LEVER ASSEMBLY	1	PC.
		INC.	233438-6	COMPRESSION SPRING 4	2	PC.
005			419250-0	F/R CHANGE LEVER	1	PC.
006	2		650724-4	SWITCH TG573FSB-3	1	PC.
007			620138-1	LIGHT CIRCUITF/DDF458	1	PC.
008			232220-0	LEAF SPRING	2	PC.
009			140963-9	SWITCH PLATE COMPLETE	1	PC.
010			424476-1	CUSHION	1	PC.
011			251468-5	- FLAT HEAD SCREW M6X22	1	PC.
013	2		266326-2	TAPPING SCREW 4X18	4	PC.
014			126098-0	GEAR ASSEMBLY	1	PC.
015			638989-8	YOKE UNIT	1	PC.
016	1		619301-1	ARMATURE	1	PC.
	2		619496-0	ARMATURE	1	PC.
017	2		632K62-2	BRUSH HOLDER COMPLETE	1	PC.
018			195021-6	CARBON BRUSH CB-440 2PC/SET W/ ORIGIN	1	SET
019			263032-0	RUBBER PIN 4	2	PC.
020			453394-6	REAR COVER	1	PC.
021			266130-9	TAPPING SCREW BIND PT 3X16	2	PC.
022			644808-8	TERMINAL	1	PC.
023			424430-5	SEAL	1	PC.
024			423422-1	SPONGE A	1	PC.
025			911013-5	PAN HEAD SCREW M3X10	1	PC.
026			423423-9	SPONGE B	1	PC.
027			689176-2	HEAT SINK	1	PC.
100			251314-2	+ SCREW M4X12 F/HOOK	2	PC.
C01			873146-3	CARTON F/DDF458Z	1	PC.
D01			652045-0	+PAN HEAD SCREW M3.5X5	2	PC.
E01			802J50-9	CAUTION LABEL	1	PC.

ACCESSORIES

- See Catalogue or visit www.makita.ca for more accessories -

A01			126130-0	GRIP ASSEMBLY	1	PC.
		INC.	154935-8	GRIP 36 COMPLETE	1	PC.
		INC.	266750-9	SQUARE BOLT M8X100	1	PC.
		INC.	346566-9	GRIP SPRING 60	1	PC.
		INC.	453584-1	GRIP BASE 60	1	PC.
A03			346449-3	HOOK,COMPACT,F/14.4V,18V BATTERY	1	PC.
A04			452947-8	BIT HOLDER	1	PC.
A05			784637-8	SQUARE DOUBLE ENDED BIT 2-45	2	PC.
	4		763261-0	1/2" KEYLESS DRILL CHUCK 13	1	PC.
	5		763252-1	1/2" KEYLESS DRILL CHUCK 13	1	PC.
A07			-----	18V LI-ION BATTERY		
A08			-----	BATTERY CHARGER		
A09			-----	LI-ION BATTERY ACCESSORIES		
A10			821532-2	PLASTIC CARRYING CASE	1	PC.
		INC.	163455-1	LATCH	2	PC.